



# Drawmaster Spare Parts Manual

# Drawmaster Spare Parts

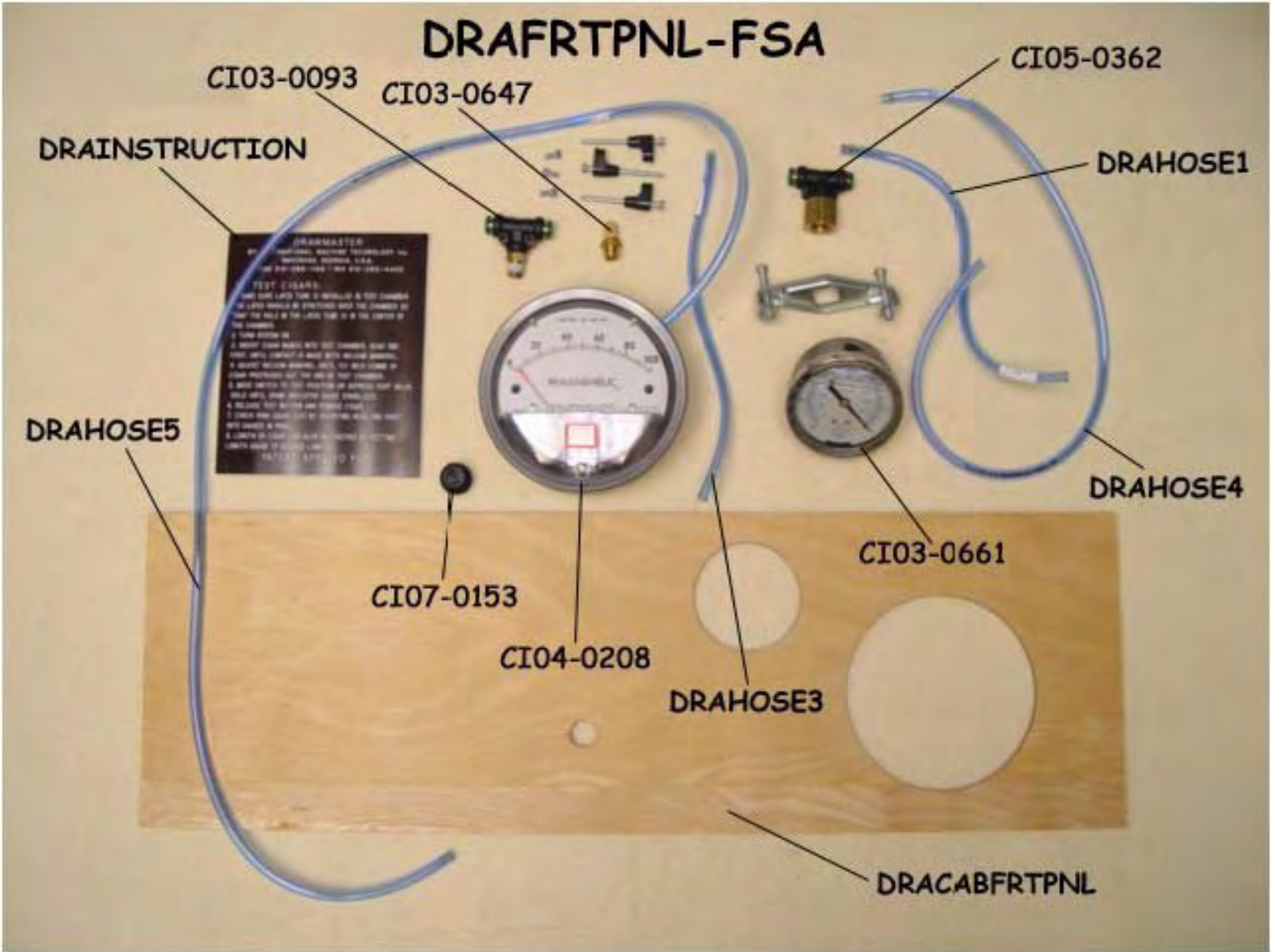


Description	Page
<b><u>DRAFRTPNL-FSA</u></b> .....	1
DRACABFRTPNL ..... FRONT PANEL, CABINET, DRAWMASTER .....	1
DRAHOSE1 ..... VACUUM GAGE TO BPANEL .....	1
DRAHOSE3 ..... MAGNAHELIC TO BPANEL .....	1
DRAHOSE4 ..... FLOW GAGE TO VACUUM GAGE .....	1
DRAHOSE5 ..... MAGNAHELIC TO COALESCING FILTER .....	1
DRAINSTRUCTION ..... INSTRUCTION PLATE, DRAWMASTER .....	1
CI03-0093 ..... FITTING, 0.125 NPT X 0.250 TUBE .....	1
CI03-0647 ..... FILTER, 0.125 .....	1
CI03-0661 ..... GAUGE, LIQUID, VACUUM .....	1
CI04-0208 ..... GAUGE, MAGNAHELIC 2100 .....	1
CI05-0362 ..... FITTING, TEE, 0.250 X 0.250 .....	1
CI07-0153 ..... PLUG, POLY, 0.750, TUBE END .....	1
<b><u>DRABKANELSA</u></b> .....	2
DRACABBACK-F ..... CABINET BACK, FMODELS, DRAWMASTER .....	2
CI05-0452 ..... FITTING, UNION, 0.250 X 0.250 .....	2
CI07-0126 ..... CAP, BLUE, SMC FITTINGS .....	2
CI07-0127 ..... CAP, BLACK, SMC FITTINGS .....	2
CI07-0128 ..... CAP, RED, SMC FITTINGS .....	2
<b><u>DRACOFILTERSA</u></b> .....	3
DRAHOSE6 ..... COALESCING FILTER TO DRW MANDREL .....	3
CI03-0639 ..... FITTING, MALE ELBOW, 0.250 NPT .....	3
CI05-0356 ..... FILTER, REPLACEMENT, COALESCING .....	3
CI05-0402 ..... FILTER, COALESCING .....	3
CI05-0454 ..... GUARD, BOWL, FILTER .....	3
CI05-0455 ..... O-RING, BOWL, FILTER .....	3
CI05-0491 ..... BLOCK, FILTER END .....	3
CI05-0492 ..... BRACKET, FILTER MOUNTING .....	3
CI05-0493 ..... METAL SCREW, #14 X 0.500, PHILLIPS HEAD .....	3
CI07-0128 ..... CAP, RED, SMC FITTINGS .....	3
<b><u>DRADRWMDL1SA</u></b> .....	4
DRA1004 ..... HOLDER, TUBE, USED WITH 2441 AND 3156 MODELS .....	4
08-0231 ..... HOLDER, TUBE, USED WITH ML2 MODEL .....	4

DRA1005-M1.....	DRAWMANDREL TUBE, USED WITH 2441 AND 3156 MODEL .....	4
08-0230 .....	DRAWMANDREL TUBE, USED WITH ML2 MODEL.....	4
CI04-0252.....	BHCS, AL, 0.375-16 X 0.750 .....	4
CI04-0392.....	FILTER, ASSY. 0.375 NPT .....	4
CI05-0150.....	THUMB SCREW, SS, .250-20 X0.625 .....	4
CI05-0496.....	MESH, FILTER.....	4
CI05-0497.....	GASKET, BOWL, AIR FILTER.....	4
CI07-0128.....	CAP, RED, SMC FITTINGS .....	4
CI07-0154.....	FITTING, .375 NPT, .250 TUBE STRAIGHT.....	4
<b><u>DRAFLOWMETERSA</u></b> .....		<b>5</b>
DRAFLOW .....	LABEL, FLOW GAUGE, DRAWMASTER .....	5
DRAFLOWMETER.....	FLOWMETER, DRILLED, DRAWMASTER .....	5
DRAHOSE7.....	VPUMP TO FLOW METER.....	5
CI03-0645.....	FITTING, .125 NPT, .250 TUBE PUSHLOCK .....	5
CI05-0169.....	TUBING, 0.250, HEAT SHRINK, BLUE .....	5
CI07-0126.....	CAP, BLUE, SMC FITTINGS .....	5
CI07-0155.....	SCREW, DRYWALL, #6 X 2.0 .....	5
<b><u>DRAFVSA</u></b> .....		<b>6</b>
CI03-0639.....	FITTING, MALE ELBOW, 0.250 NPT.....	6
CI03-0651.....	FILTER, 0.250 AIR .....	6
CI05-0020.....	VALVE, FOOT DRAWMASTER.....	6
CI07-0126.....	CAP, BLUE, SMC FITTINGS .....	6
CI07-0127.....	CAP, BLACK, SMC FITTINGS .....	6
CI07-0128.....	CAP, RED, SMC FITTINGS .....	6
<b><u>DMHSA</u></b> .....		<b>7</b>
DMHSA .....	HOSE ASSEMBLY, DRAWMASTER .....	7
<b><u>DRAPUMPSA</u></b> .....		<b>8</b>
CI03-0651.....	FILTER, 0.250 AIR .....	8
CI04-0268.....	PUMP, VACUUM GAST.....	8
CI05-0022.....	FITTING, .250 NPT, .250 TUBE STRAIGHT .....	8
CI07-0126.....	CAP, BLUE, SMC FITTINGS .....	8
DRAPUMPSA REPLACEMENT PARTS.....		9
<b><u>LATEX TUBES</u></b> .....		<b>10</b>
DRALATEX375-12 .....	3/8" USED WITH 2032 MODEL DRAWMASTER .....	10
DRALATEX500-12 .....	1/2" USED WITH 2441 MODEL DRAWMASTER .....	10
DRALATEX625-12 .....	5/8" USED WITH 3156 MODEL DRAWMASTER .....	10
DRALATEX750-12 .....	3/4" USED WITH ML2 MODEL DRAWMASTER .....	10
<b><u>DRAW STANDARD</u></b> .....		<b>11</b>
DRADRWSTDSA .....	ASSEMBLY, DRAWSTANDARD #40, USED WITH 2441 & 3156 MODELS.....	11
DRADRWSTDSA3 .....	DRAW STANDARD, DRAWMASTER, USED WITH ML2 MODEL .....	11
<b><u>Drawmaster Spare Parts Order Form</u></b> .....		<b>12-13</b>
<b><u>Fitting Index</u></b> .....		<b>14</b>

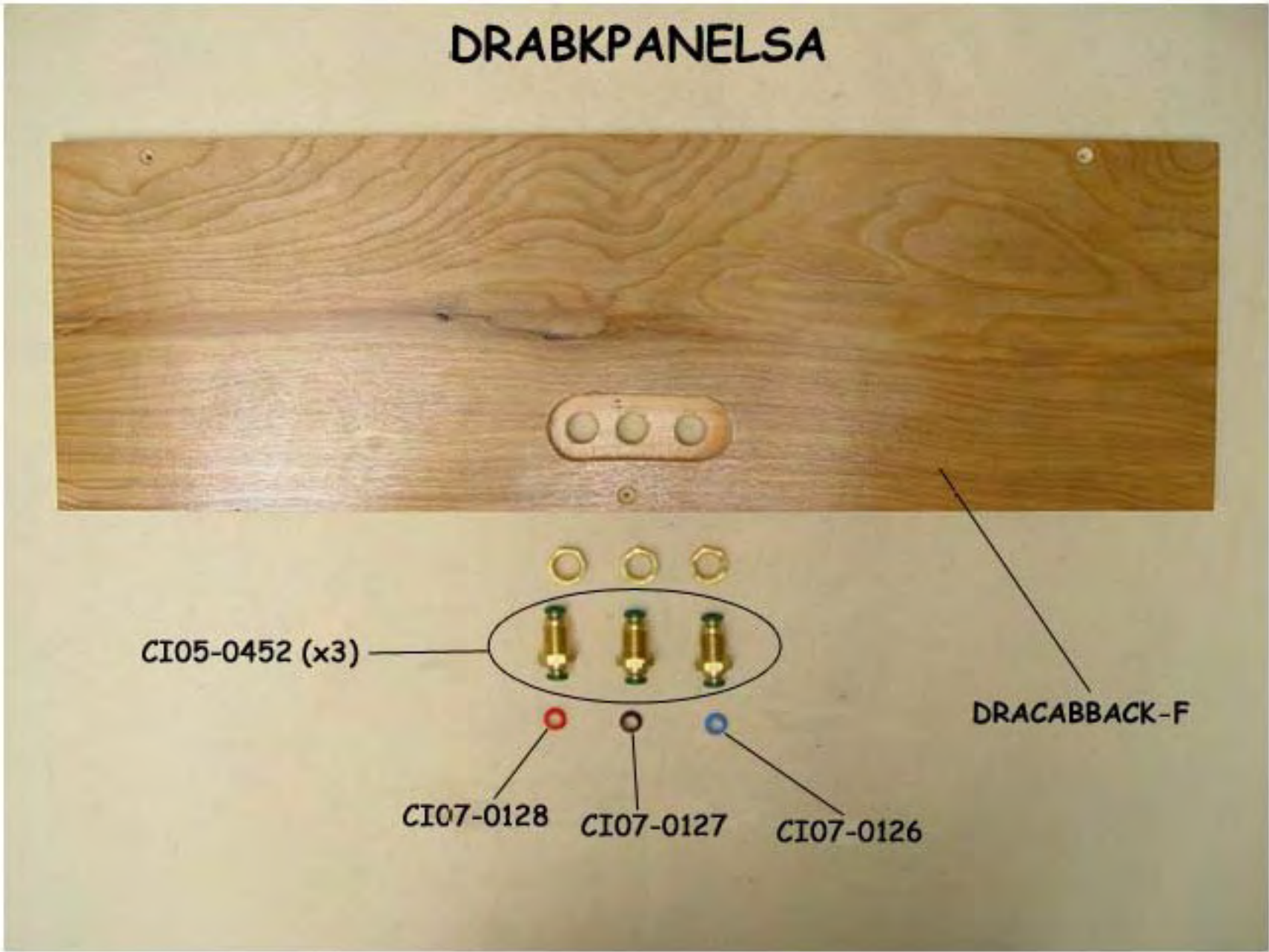
# DRAFRTPNL-FSA

## Front Panel, FV Models, Drawmaster



# DRABKPANELSA

## Back Panel, Assembly, Drawmaster

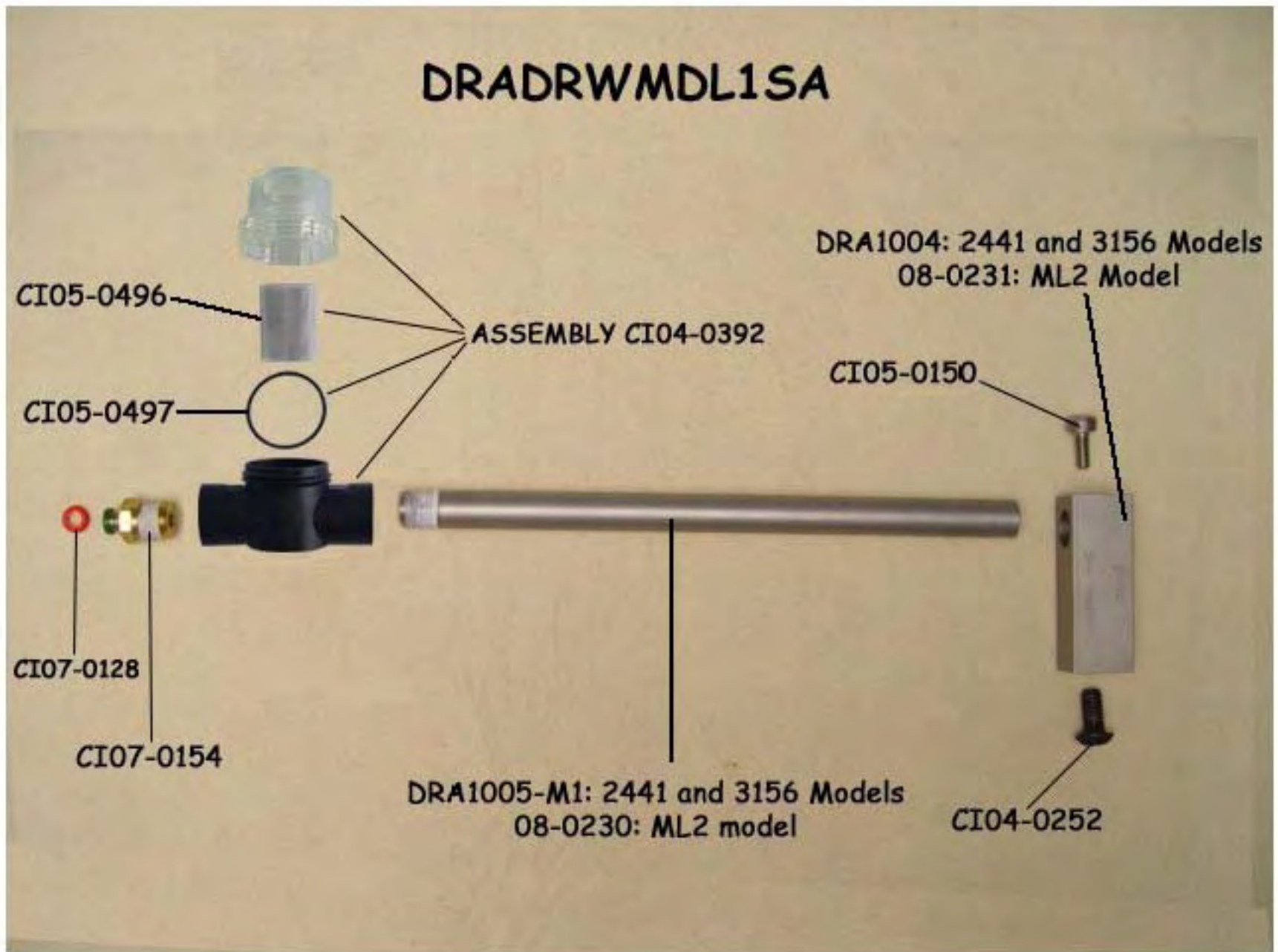


# DRACOFILTERSA

## Coalescing Filter, Assembly, Drawmaster

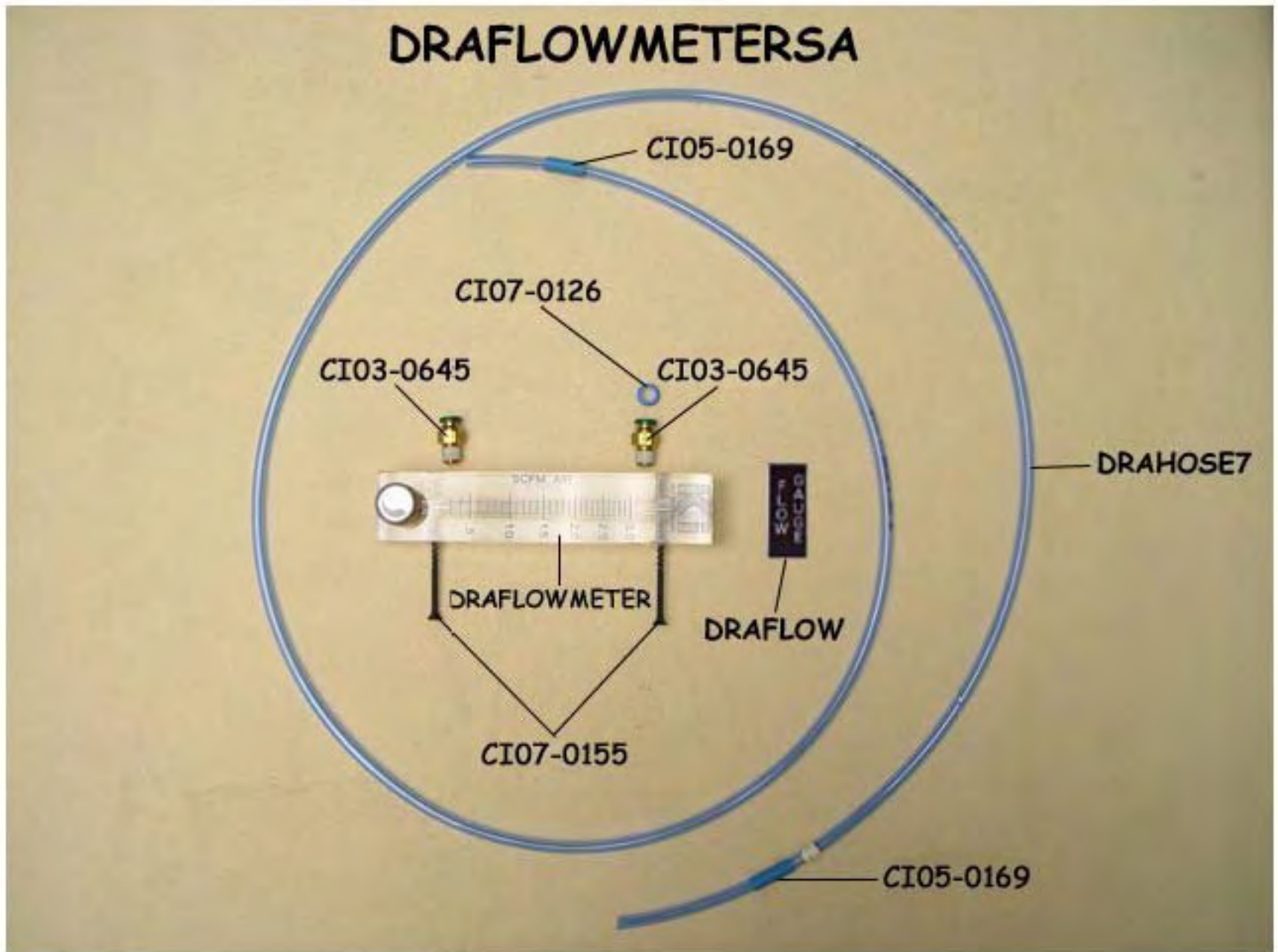


# DRADRWMDL1SA DRAW MANDREL, #1, ASSEMBLY, DM



# DRAFLOWMETERSA

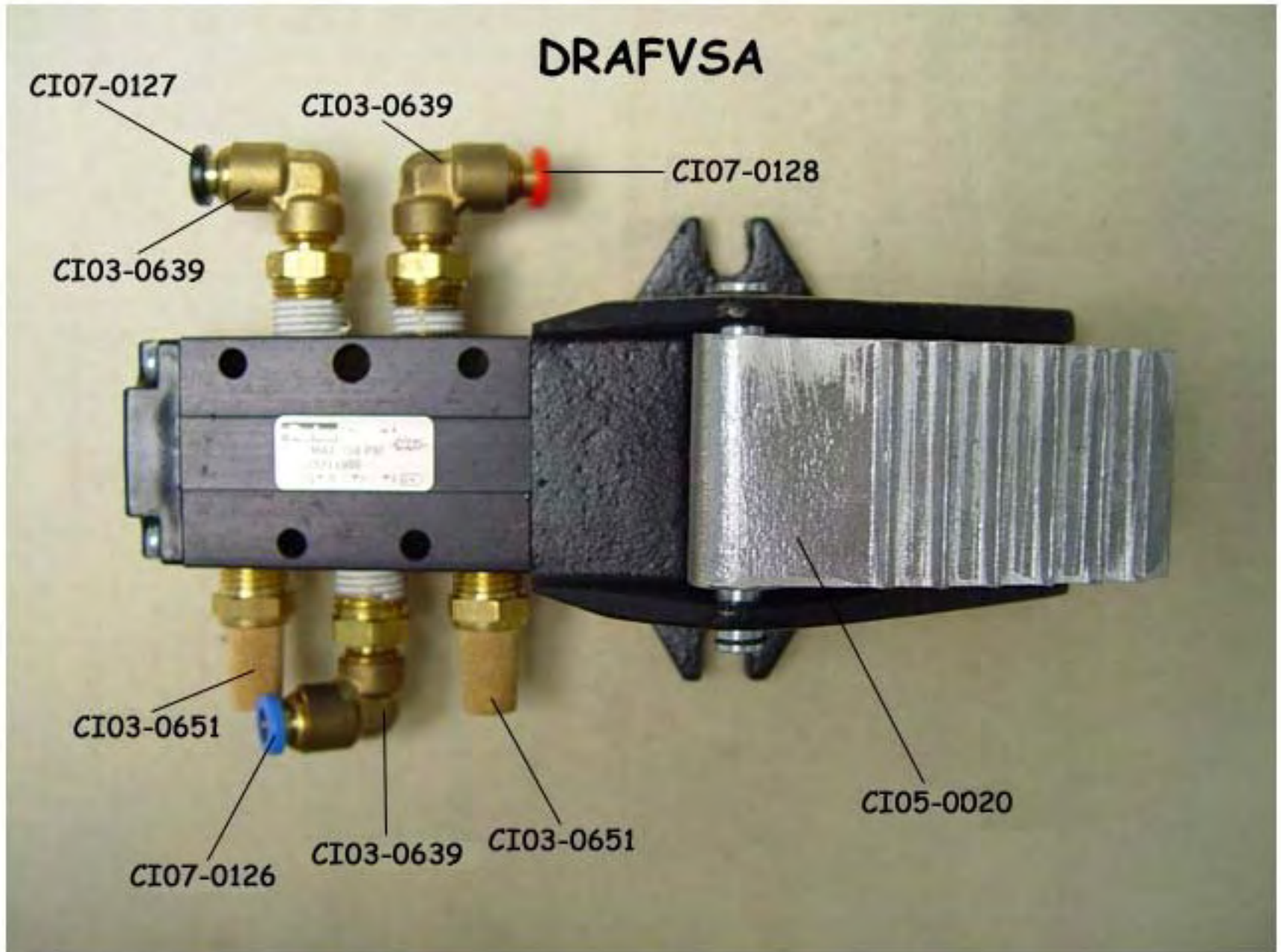
## Flowmeter, Assembly, Drawmaster





# DRAFVSA

## Foot Valve, Assembly, Drawmaster



# DMHSA

Hose Assembly, Drawmaster, All Foot Valve Models

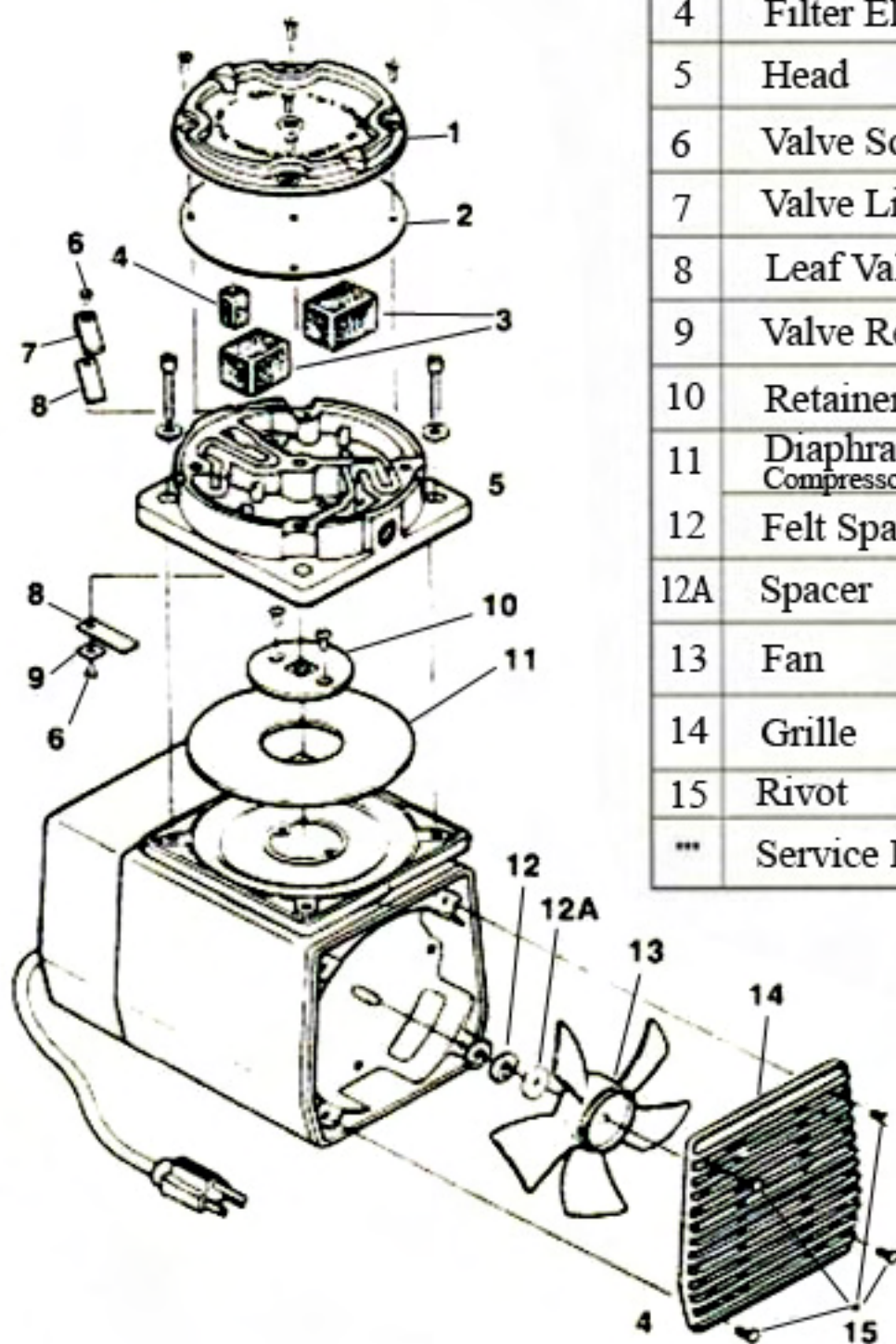


# DRAPUMPSA

## Pump, Assembly, Drawmaster



## DRAPUMPSA



Ref	Description	QTY per Unit	IMTEC Part#	Order Quantity
1	Cover	1	CI07-0138	
2	Head Gasket	1	CI05-0465	
3	Filter/Muffler Element	2	CI07-0139	
4	Filter Element	1	CI05-0467	
5	Head	1	CI07-0140	
6	Valve Screw	2	CI07-0141	
7	Valve Limiter	1	CI07-0142	
8	Leaf Valve	2	CI07-0143	
9	Valve Retainer	1	CI05-0457	
10	Retainer Plate	1	CI05-0458	
11	Diaphragm Compressor - Blue	1	CI07-0144	
12	Felt Spacer	3	CI07-0145	
12A	Spacer	1	CI07-0146	
13	Fan	1	CI07-0147	
14	Grille	1	CI05-0462	
15	Rivot	4	CI07-0148	
***	Service Kit	1	CI07-0149	

# Latex Tubes



DRALATEX375-12: 3/8" used with 2032 Model Drawmaster

DRALATEX500-12: 1/2" used with 2441 Model Drawmaster

DRALATEX625-12: 5/8" used with 3156 Model Drawmaster

DRALATEX750-12: 3/4" used with ML2 Model Drawmaster

# Draw Standard



DRADRWSTDSA used for 2441 and 3156 models  
DRADRWSTDSA3 used for ML2 model

# Drawmaster Spare Parts Order Form



Description	Page	Order Quantity
<b>DRAFRTPNL-FSA</b> .....	1	<input type="checkbox"/>
DRACABFRTPNL ..... FRONT PANEL, CABINET, DRAWMASTER .....	1	<input type="checkbox"/>
DRAHOSE1 ..... VACUUM GAGE TO BPANEL .....	1	<input type="checkbox"/>
DRAHOSE3 ..... MAGNAHELIC TO BPANEL .....	1	<input type="checkbox"/>
DRAHOSE4 ..... FLOW GAGE TO VACUUM GAGE .....	1	<input type="checkbox"/>
DRAHOSE5 ..... MAGNAHELIC TO COALESCING FILTER .....	1	<input type="checkbox"/>
DRAINSTRUCTION ..... INSTRUCTION PLATE, DRAWMASTER .....	1	<input type="checkbox"/>
CI03-0093 ..... FITTING, 0.125 NPT X 0.250 TUBE .....	1	<input type="checkbox"/>
CI03-0647 ..... FILTER, 0.125 .....	1	<input type="checkbox"/>
CI03-0661 ..... GAUGE, LIQUID, VACUUM .....	1	<input type="checkbox"/>
CI04-0208 ..... GAUGE, MAGNAHELIC 2100 .....	1	<input type="checkbox"/>
CI05-0362 ..... FITTING, TEE, 0.250 X 0.250 .....	1	<input type="checkbox"/>
CI07-0153 ..... PLUG, POLY, 0.750, TUBE END .....	1	<input type="checkbox"/>
<b>DRABKANELSA</b> .....	2	<input type="checkbox"/>
DRACABBACK-F ..... CABINET BACK, FMODELS, DRAWMASTER .....	2	<input type="checkbox"/>
CI05-0452 ..... FITTING, UNION, 0.250 X 0.250 .....	2	<input type="checkbox"/>
CI07-0126 ..... CAP, BLUE .....	2	<input type="checkbox"/>
CI07-0127 ..... CAP, BLACK .....	2	<input type="checkbox"/>
CI07-0128 ..... CAP, RED .....	2	<input type="checkbox"/>
<b>DRACOFILTERSA</b> .....	3	<input type="checkbox"/>
DRAHOSE6 ..... COALESCING FILTER TO DRW MANDREL .....	3	<input type="checkbox"/>
CI03-0639 ..... FITTING, MALE ELBOW, 0.250 NPT .....	3	<input type="checkbox"/>
CI05-0356 ..... FILTER, REPLACEMENT, COALESCING .....	3	<input type="checkbox"/>
CI05-0402 ..... FILTER, COALESCING .....	3	<input type="checkbox"/>
CI05-0454 ..... GUARD, BOWL, FILTER .....	3	<input type="checkbox"/>
CI05-0455 ..... O-RING, BOWL, FILTER .....	3	<input type="checkbox"/>
CI05-0491 ..... BLOCK, FILTER END .....	3	<input type="checkbox"/>
CI05-0492 ..... BRACKET, FILTER MOUNTING .....	3	<input type="checkbox"/>
CI05-0493 ..... METAL SCREW, #14 X 0.500, PHILLIPS HEAD ..	3	<input type="checkbox"/>
CI07-0128 ..... CAP, RED .....	3	<input type="checkbox"/>
<b>DRADRWMDL1SA</b> .....	4	<input type="checkbox"/>
DRA1004 ..... HOLDER, TUBE, USED WITH 2441 AND 3156 MODELS .....	4	<input type="checkbox"/>
08-0231 ..... HOLDER, TUBE, USED WITH ML2 MODEL .....	4	<input type="checkbox"/>

DRA1005-M1.....	DRAWMANDREL TUBE, USED WITH 2441 AND 3156 MODEL.....	4	<input type="checkbox"/>
08-0230.....	DRAWMANDREL TUBE, USED WITH ML2 MODEL.....	4	<input type="checkbox"/>
CI04-0252.....	BHCS, AL, 0.375-16 X 0.750.....	4	<input type="checkbox"/>
CI04-0392.....	FILTER, ASSY. 0.375 NPT.....	4	<input type="checkbox"/>
CI05-0150.....	THUMB SCREW, SS, .250-20 X0.625.....	4	<input type="checkbox"/>
CI05-0496.....	MESH, FILTER.....	4	<input type="checkbox"/>
CI05-0497.....	GASKET, BOWL, AIR FILTER.....	4	<input type="checkbox"/>
CI07-0128.....	CAP, RED.....	4	<input type="checkbox"/>
CI07-0154.....	FITTING, .375 NPT, .250 TUBE STRAIGHT.....	4	<input type="checkbox"/>
<b>DRAFLOWMETERSA</b> .....		<b>5</b>	<input type="checkbox"/>
DRAFLOW.....	LABEL, FLOW GAUGE, DRAWMASTER.....	5	<input type="checkbox"/>
DRAFLOWMETER.....	FLOWMETER, DRILLED, DRAWMASTER.....	5	<input type="checkbox"/>
DRAHOSE7.....	VPUMP TO FLOW METER.....	5	<input type="checkbox"/>
CI03-0645.....	FITTING, .125 NPT, .250 TUBE PUSHLOCK.....	5	<input type="checkbox"/>
CI05-0169.....	TUBING, 0.250, HEAT SHRINK, BLUE.....	5	<input type="checkbox"/>
CI07-0126.....	CAP, BLUE.....	5	<input type="checkbox"/>
CI07-0155.....	SCREW, DRYWALL, #6 X 2.0.....	5	<input type="checkbox"/>
<b>DRAFVSA</b> .....		<b>6</b>	<input type="checkbox"/>
CI03-0639.....	FITTING, MALE ELBOW, 0.250 NPT.....	6	<input type="checkbox"/>
CI03-0651.....	FILTER, 0.250 AIR.....	6	<input type="checkbox"/>
CI05-0020.....	VALVE, FOOT DRAWMASTER.....	6	<input type="checkbox"/>
CI07-0126.....	CAP, BLUE.....	6	<input type="checkbox"/>
CI07-0127.....	CAP, BLACK.....	6	<input type="checkbox"/>
CI07-0128.....	CAP, RED.....	6	<input type="checkbox"/>
<b>DMHSA</b> .....		<b>7</b>	<input type="checkbox"/>
DMHSA.....	HOSE ASSEMBLY, DRAWMASTER, FOOT VALVE.....	7	<input type="checkbox"/>
<b>DRAPUMPSA</b> .....		<b>8</b>	<input type="checkbox"/>
CI03-0651.....	FILTER, 0.250 AIR.....	8	<input type="checkbox"/>
CI04-0268.....	PUMP, VACUUM GAST.....	8	<input type="checkbox"/>
CI05-0022.....	FITTING, .250 NPT, .250 TUBE STRAIGHT.....	8	<input type="checkbox"/>
CI07-0126.....	CAP, BLUE.....	8	<input type="checkbox"/>
DRAPUMPSA REPLACEMENT PARTS.....		9	<input type="checkbox"/>
<b>LATEX TUBES</b> .....		<b>10</b>	<input type="checkbox"/>
DRALATEX375-12.....	3/8" USED WITH 2032 MODEL DRAWMASTER.....	10	<input type="checkbox"/>
DRALATEX500-12.....	1/2" USED WITH 2441 MODEL DRAWMASTER.....	10	<input type="checkbox"/>
DRALATEX625-12.....	5/8" USED WITH 3156 MODEL DRAWMASTER.....	10	<input type="checkbox"/>
DRALATEX750-12.....	3/4" USED WITH ML2 MODEL DRAWMASTER.....	10	<input type="checkbox"/>
<b>DRAW STANDARD</b> .....		<b>11</b>	<input type="checkbox"/>
DRADRWSTDSA.....	DRAWSTANDARD #40, USED WITH 2441 & 3156 MODELS.....	11	<input type="checkbox"/>
DRADRWSTDSA3.....	DRAW STANDARD, DRAWMASTER, USED WITH ML2 MODEL.....	11	<input type="checkbox"/>



Pre 07 Fittings and Caps

After 07 Fittings and Caps

W172PL-4-2



CI05-0453



CI03-0093



CI07-0126



W169PL4-4



CI03-0639



CI07-0127



CI05-0468



W68PL4-2



CI03-0645



CI07-0128



W68PL4-4



CI05-0022



62PLB-H-4



CI05-0452



W68PL4-6



CI07-0154



# CUSTOMER INFORMATION

Order Date: \_\_\_\_\_

Company Name: \_\_\_\_\_  
\_\_\_\_\_  
\_\_\_\_\_

Shipping Address: \_\_\_\_\_  
\_\_\_\_\_  
\_\_\_\_\_  
\_\_\_\_\_  
\_\_\_\_\_

Billing Address: \_\_\_\_\_  
\_\_\_\_\_  
\_\_\_\_\_  
\_\_\_\_\_  
\_\_\_\_\_

Contact Name: \_\_\_\_\_

Phone Number: \_\_\_\_\_

Email Address: \_\_\_\_\_

All orders will be verified with price and availability before shipping.  
Payment options will be determined via phone or email before shipping.

Please fax orders to : 912-283-4400

Attn: Cherae Stanfield

Email: [sales@imtec-inc.com](mailto:sales@imtec-inc.com)